

1

2

3

4

A

A

B

B

C

C

D

D

Designator
ESP32-Audio-Kit_V2.2-Power.SchDoc



Designator
ESP32-Audio-Kit_V2.2-Audio.SchDoc



| | | |
|----------------------------|--|----------------|
| Title | | |
| Ai-Thinker ESP32-Audio-Kit | | |
| Size | Number | Revision |
| A4 | | V2.2 |
| Date: | 2019/4/9 | Sheet of 1/3 |
| File: | C:\Users\...\ESP32-Audio-Kit_V2.2.SchDoc | Drawn By: Jony |

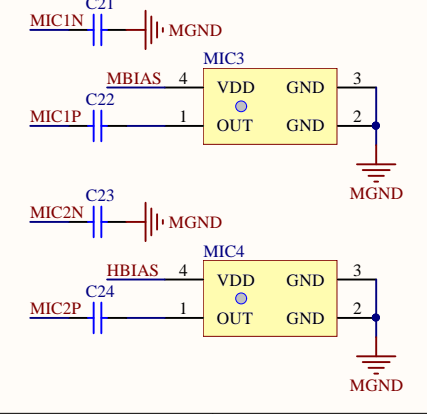
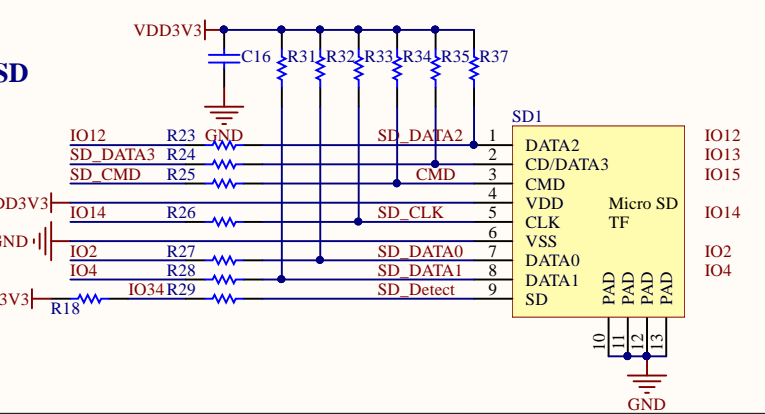
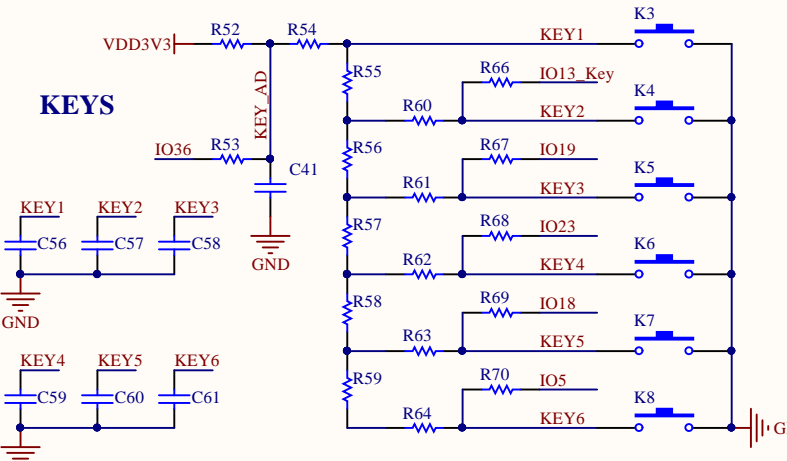
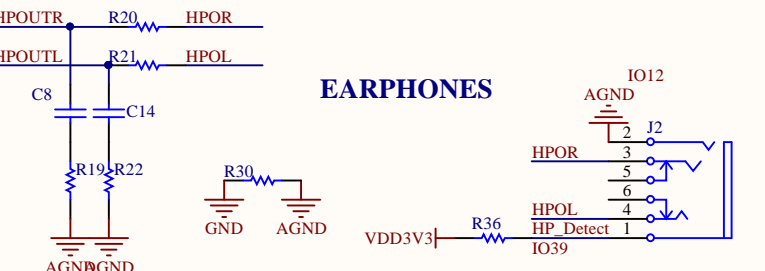
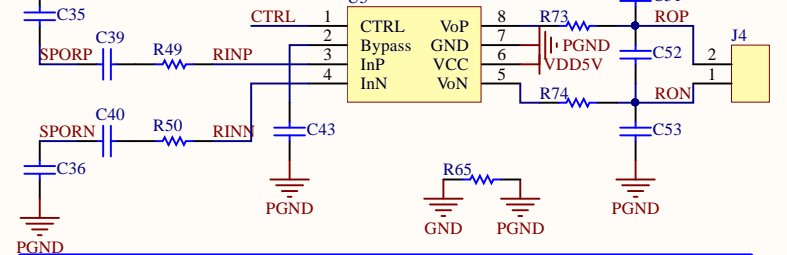
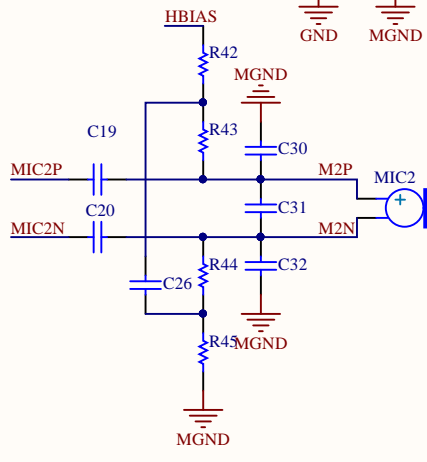
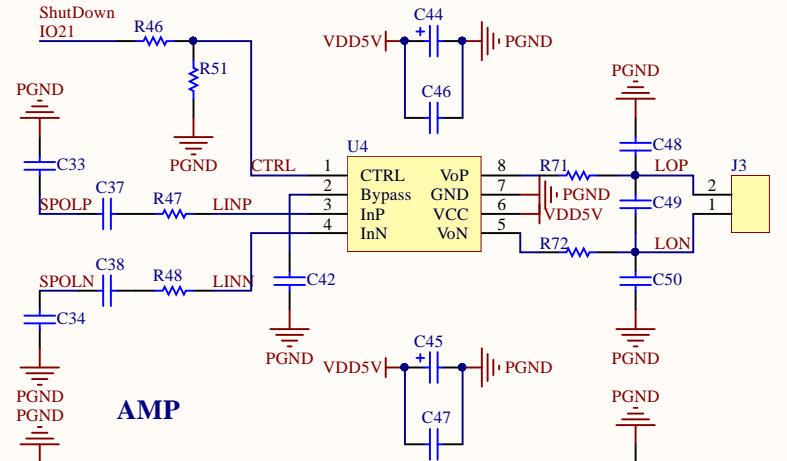
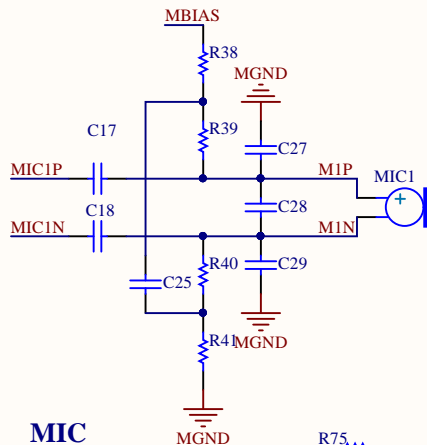
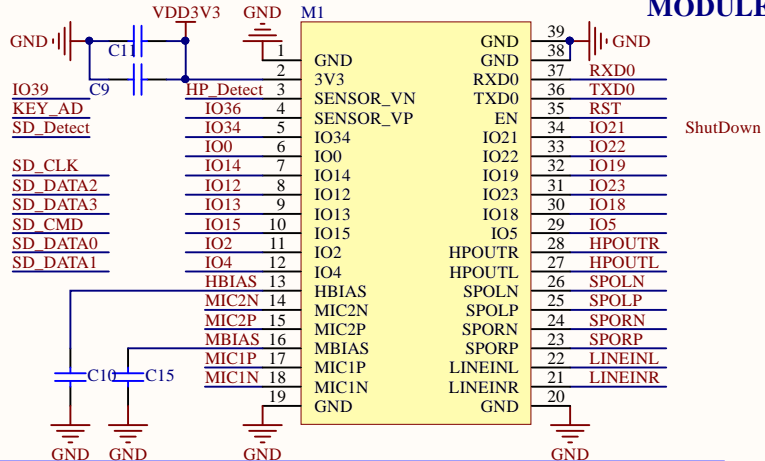
1

2

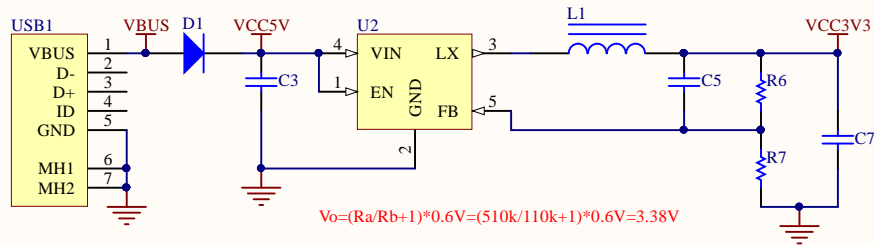
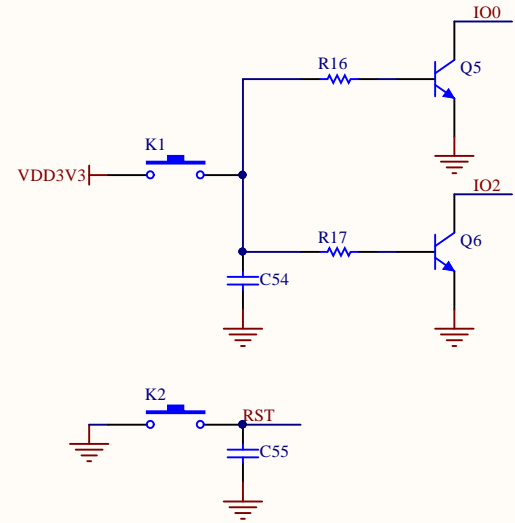
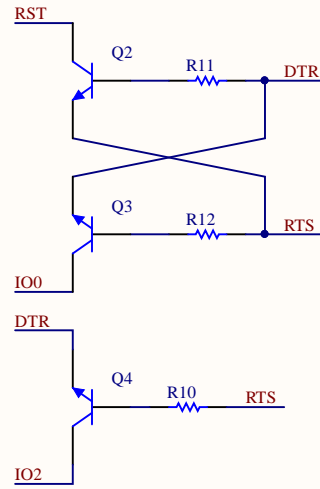
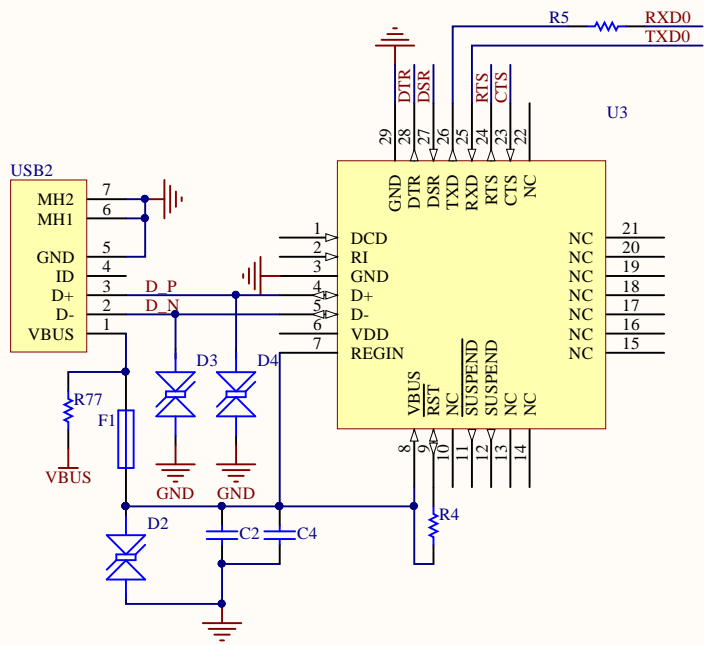
3

4

MODULE

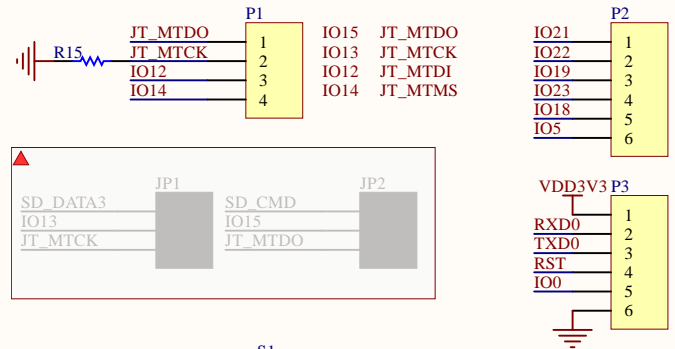
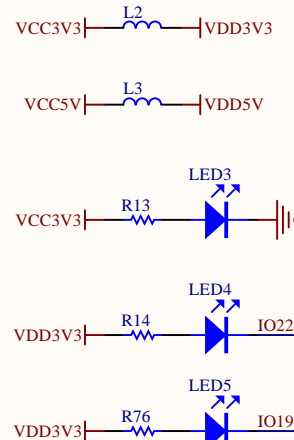


| | | | |
|----------------------------|---|-----------|--------|
| Title | | | |
| Ai-Thinker ESP32-Audio-Kit | | | |
| Size | Number | Revision | |
| A4 | | V2.2 | |
| Date: | 2019/4/9 | Sheet | of 3/3 |
| File: | C:\Users\...\ESP32-Audio-Kit_V2.2-Audio-Kit | Drawn by: | Jony |

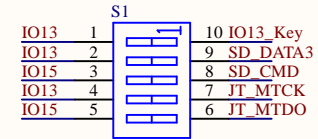


$$V_o = (R_a/R_b + 1) * 0.6V = (510k/110k + 1) * 0.6V = 3.38V$$

POWER



IO



| | | | |
|----------------------------|---|-----------|--------|
| Title | | | |
| Ai-Thinker ESP32-Audio-Kit | | | |
| Size | Number | Revision | |
| A4 | | V2.2 | |
| Date: | 2019/4/9 | Sheet | of 2/3 |
| File: | C:\Users\...\ESP32-Audio-Kit_V2.2-PowerSupply | Drawn By: | Jony |